

Section EN54 Voice Evacuation Systems

Category EN54-24 Loudspeakers

Code C46/10-EN

References

Safety: Compliant to EN 50200, EN 62368-1

Emergency: EN54-24:2008 (cert. no. 0068/CPR/153-2020)
ISO 7240-19:2010 - CEN/TS 54-32:2015 - EN 50849

Application: Outdoor environment (Type B)

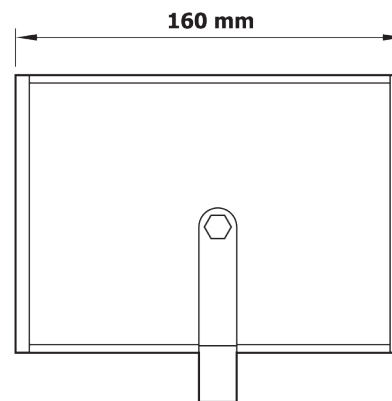
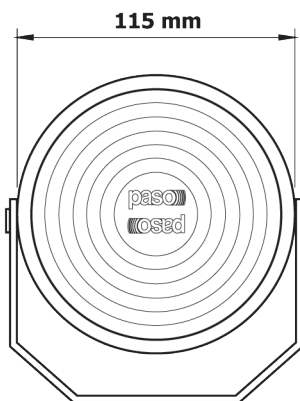
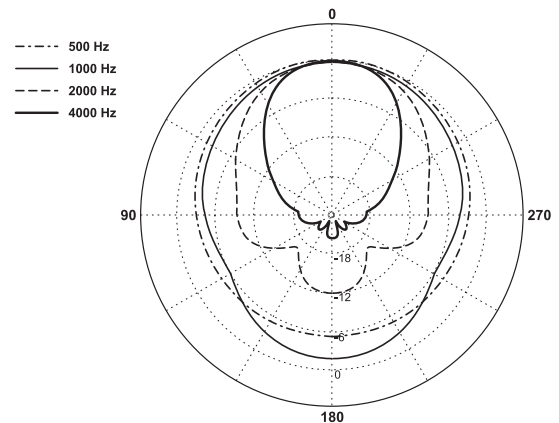
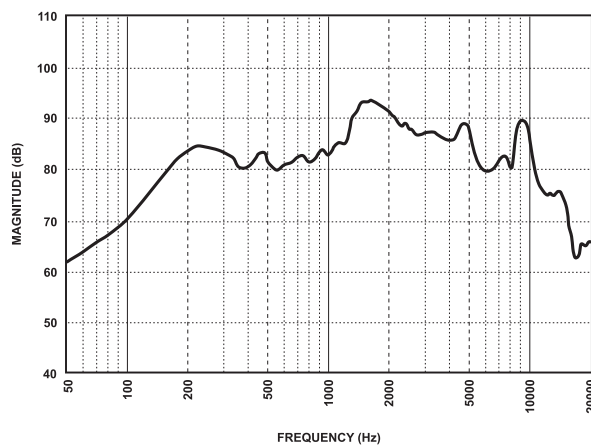


Description EN54-24 10W Sound projector for voice alarm systems

The **C46/10-EN** sound projector has as a main feature an excellent reproduction of sound and a compact size. The wide-band loudspeaker is treated to withstand moisture and suitable for both indoors and outdoors provided the unit is sheltered from direct rain.

This speaker unit has been developed specifically for use in emergency and evacuation systems (VES) and has its own ceramic terminal strip and thermal fuse. These ensure the protection of the line connecting the loudspeakers if a fire puts one or more of the speaker units connected to it out of use.

Technical data



Technical data

C46/10-EN



20

PASO S.p.A Via Settembrini, 34 - 20020 Lainate (MI)

0068

0068/CPR/153-2020

EN 54-24

 Loudspeaker for voice alarm systems
 for fire detection and fire alarm systems for buildings

C46/10-EN

Type B

No. of loudspeakers	1
Rated output	10 W
Adjustable power	10 W / 5 W / 2,5 W
Line transformer inputs	50 V / 70 V / 100 V
Rated impedance (100V line)	1000 Ω (10 W) / 2000 Ω (5 W) / 4000 Ω (2,5 W)
Frequency response @ -6dB	120 ÷ 16.000 Hz
Efficiency @ 1W/1m	82 dB
Maximum acoustic pressure SPL @ Pmax/1m	92 dB
Dispersion angle (- 6dB)	500 Hz: 180° 1 kHz: 180° 2 kHz: 110° 4 kHz: 70°
Material	UL94-V0 self-extinguishing
Colour	White
Size	Ø 115 x 160 mm
Net weight	1,1 kg